

BOUTIQUE FURNITURE

Open shelf element

40917.0

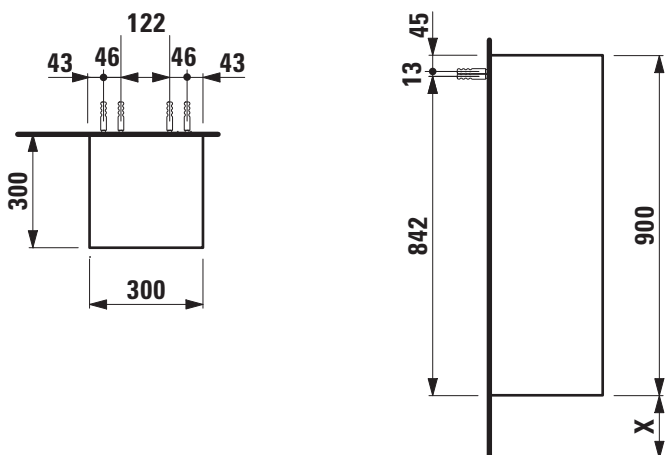


TECHNICAL DATA

Order no.	40917.0
Dimensions (WxHxD)	300 x 900 x 300 mm
Specification	Body – lacquered surface veneer with solid wood edges With hidden wall fixation 2 fixed shelves
Weight	11,0 kg
Mounting acc. incl.	Installation set for furniture, order no. 49664.0

Mounting information	The walls installed on must meet the requirements of the furniture in terms of weight and the supplied fastening elements. If this cannot be guaranteed another method of installation needs to be chosen. For example with feet.
Colours body	250 – Light oak 251 – Dark oak

TECHNICAL DRAWINGS / S 1 : 20



X = The exact height must be set during installation.